

COMMERCIAL/INDUSTRIAL COLOR CHART

❖ SIGNATURE® 200 Standard Colors

**SILICONIZED
POLYESTER**

Polar White is a Straight Polyester.

26-GAUGE MATERIAL

- Final color selection should be made from actual color chips.
- For the most current information available, visit our website at www.mbc.com.
- See product selection chart for gauge and color availability.
- All products available in smooth or embossed finish.
- Trim available in all colors.
- All Signature® 300 are low gloss colors.
- A 25-year limited paint warranty available for all colors upon written request except for Scarlet Red and Crimson Red, please inquire. (Outside the continental United States, please inquire.)
- Signature® is a registered trademark of NCI Group, Inc. KYNAR 500® is a registered trademark of Arkema, Inc. HYLAR 5000® is a registered trademark of Solvay Solexis.

† Except Crimson Red, which contains more than 0.06 percent lead, none of the other colors shown are lead-containing paints under 13 CFR 1303. Crimson Red should only be used for applications which comply with federal, state and local regulations for lead-containing paint.

* Also available in 29-gauge



HAWAIIAN BLUE*
SR .32 SRI 35



CRIMSON RED*
SR .38 SRI 42



FERN GREEN
SR .28 SRI 29



BURNISHED SLATE
SR .28 SRI 29



ASH GRAY*
SR .48 SRI 56



SADDLE TAN*
SR .48 SRI 56



DESERT SAND*
SR .42 SRI 48



KOKO BROWN*
SR .28 SRI 29



CHARCOAL GRAY
SR .28 SRI 29



POLAR WHITE**
SR .58 SRI 69



RUSTIC RED
SR .36 SRI 40



LIGHT STONE*
SR .50 SRI 58



GALLERY BLUE
SR .28 SRI 29

❖ SIGNATURE® 300 Standard Colors

**KYNAR 500®
HYLAR 5000®**

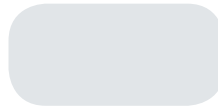
26-GAUGE MATERIAL
PBR, PBU, PBA, PBC, PBD Panels only

Low Gloss Colors

* Also available in 24-gauge



MEDIUM BRONZE*
SR .33 SRI 36



SNOW WHITE**
SR .65 SRI 79



SLATE GRAY
SR .37 SRI 41



ALMOND**
SR .63 SRI 76



CLASSIC GREEN*
SR .28 SRI 29



BROWNSTONE**
SR .47 SRI 54



SCARLET RED*
SR .42 SRI 47



HARBOR BLUE
SR .28 SRI 29



★ Energy Star
Approved Color



Houston, TX 877-713-6224
Adel, GA 888-446-6224
Atlanta, GA 877-512-6224
Atwater, CA 800-829-9324

Dallas, TX 800-653-6224
Indianapolis, IN 800-735-6224
Lubbock, TX 800-758-6224
Memphis, TN 800-206-6224

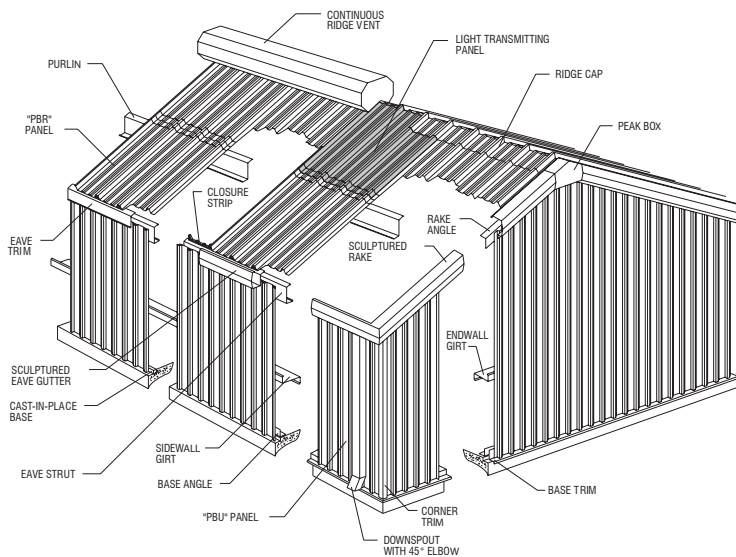
Oklahoma City, OK 800-597-6224
Omaha, NE 800-458-6224
Phoenix, AZ 888-533-6224
Richmond, VA 800-729-6224

Rome, NY 800-559-6224
Salt Lake City, UT 800-874-2404
San Antonio, TX 800-598-6224

COMMERCIAL/INDUSTRIAL PANEL PROFILES

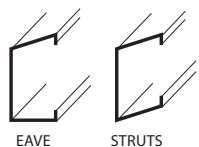
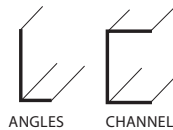
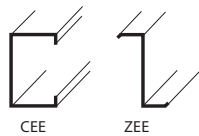
Profile	Panel	29 GAUGE		26 GAUGE		24 GAUGE		22 GAUGE	
		Galvalume Plus®	Sig 200	Galvalume Plus®	Sig 200	Galvalume Plus®	Sig 200	Galvalume Plus®	Sig 200
 PBR PANEL	PBR	●	■	●	■	●	■	●	■
 PBU PANEL	PBU	●	■	●	■	●	■	●	■
 PBC PANEL	PBC	●	■	●	■	●	■	●	■
 PBD PANEL	PBD	●	■	●	■	●	■	●	■
 7.2 PANEL	7.2	●	■	●	■	●	■	●	■
 PBA PANEL	PBA	●	■	●	■	●	■	●	■

● Available in any quantity ■ May require minimum quantity



AVAILABLE ACCESSORIES

- Hat and Channel Sections
- Light Transmitting Panels
- Vent
- Roof Jacks
- Fasteners
- Ridge Caps
- Closures
- Doors
- Windows
- Sealants
- Insulation
- Bracing
- Bolts
- Louvers
- Sliding Door Hardware



What is

Solar Reflectivity (SR)?

Solar reflectivity or reflectance is the ability of a material to reflect solar energy from its surface back into the atmosphere. The SR value is a number from 0 to 1.0. A value of 0 indicates that the material absorbs all solar energy and a value of 1.0 indicates total reflectance. Energy Star requires an SR value of 0.25 or higher for steep slope (above 2:12) roofing and an SR value of 0.65 or higher for low slope (2:12 or less) roofing. For more information, please go to www.energystar.gov.

What is

Solar Reflectance Index (SRI)?

The SRI is used to determine compliance with LEED requirements and is calculated according to ASTM E 1980 using values for reflectance and emissivity. Emissivity is a material's ability to release absorbed energy. To meet LEED requirements, a roofing material must have an SRI of 29 or higher for steep slope (above 2:12) roofing and an SRI value of 78 or higher for low slope (2:12 or less) roofing. For more information, please go to www.usgbc.org.

SIGNATURE® 200 - SILICONIZED POLYESTER

	SR #	SRI #
HAWAIIAN BLUE	.32	35
CRIMSON RED	.38	42
FERN GREEN	.28	29
BURNISHED SLATE	.28	29
KOKO BROWN	.28	29
CHARCOAL GRAY	.28	29
ASH GRAY	.48	56
SADDLE TAN	.48	56
DESERT SAND	.42	48
POLAR WHITE	.58	69
RUSTIC RED	.36	40
LIGHT STONE	.50	58
GALLERY BLUE	.28	29

SIGNATURE® 300 - KYNAR 500®/HYLAR 5000®

	SR #	SRI #
MEDIUM BRONZE	.33	36
SNOW WHITE	.65	79
SLATE GRAY	.37	41
ALMOND	.63	76
CLASSIC GREEN	.28	29
BROWNSTONE	.47	54
SCARLET RED	.42	47
HARBOR BLUE	.28	29

